

## CHT-CALLISTO DATASHEET Dual Common Anode Small Signal Diodes

Version: 1.5

### General description

CHT-CALLISTO features high temperature dual common anode 80V / 300mA diodes packaged in a hermetically sealed TO18 metal can. It is designed to achieve high performance in an extremely wide temperature range: typical operation temperature goes from -55°C to 225°C while keeping leakage currents low. This dual diode can be used in a variety of applications, including rectification and general purpose.

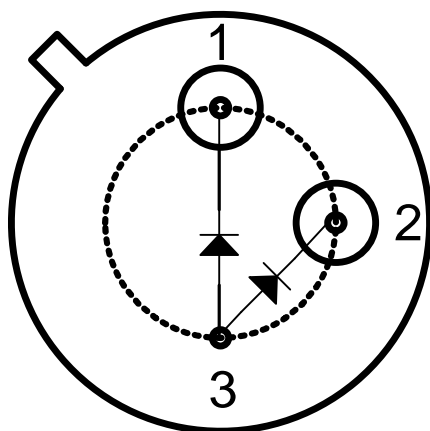
### Features

- Specified from **-55 to +225°C** (Tj)
- Reverse voltage: **V<sub>R</sub> = 80V** (max)
- Forward current: **I<sub>F</sub> = 280 mA** (max @ 225°C (Tj) and V<sub>F</sub> = 1.5V)
- Forward voltage:  
**V<sub>F</sub> = 0.7V** (typ. @ I<sub>F</sub> = 1mA)
- Junction capacitance:  
**C<sub>j</sub> = 8.5pF** (typ. @ V<sub>R</sub> = 25V)
- Package: Hermetically sealed metal can TO18

### Applications

- Voltage multiplier / charge-pumps
- Signal rectification
- General purpose diode

### Package Configuration



Pin Number	Pin Name
1	K1
2	K2
3	A1

TO18 (bottom view) (case connected to pin 3)

## CHT-CALLISTO – DATASHEET

### Absolute Maximum Ratings

Reverse voltage $V_R$	80V
Forward surge current $I_{FSM}$	300mA
Power dissipation $T_c=25^\circ\text{C}$	450mW
Junction temperature $T_j$	250°C

### Operating Conditions

Reverse voltage $V_R$	0V to 80V
Continuous forward current $I_F$	0mA to 250mA
Forward voltage $V_F$	0V to 1.5V
Power dissipation $T_c=25^\circ\text{C}$	350mW
Junction temperature	-55°C to +225°C

### Electrical characteristics

Unless otherwise stated,  $T_j = 25^\circ\text{C}$ . **Bold** figures point out values valid over the whole temperature range ( $T_j = -55^\circ\text{C}$  to  $+225^\circ\text{C}$ ).

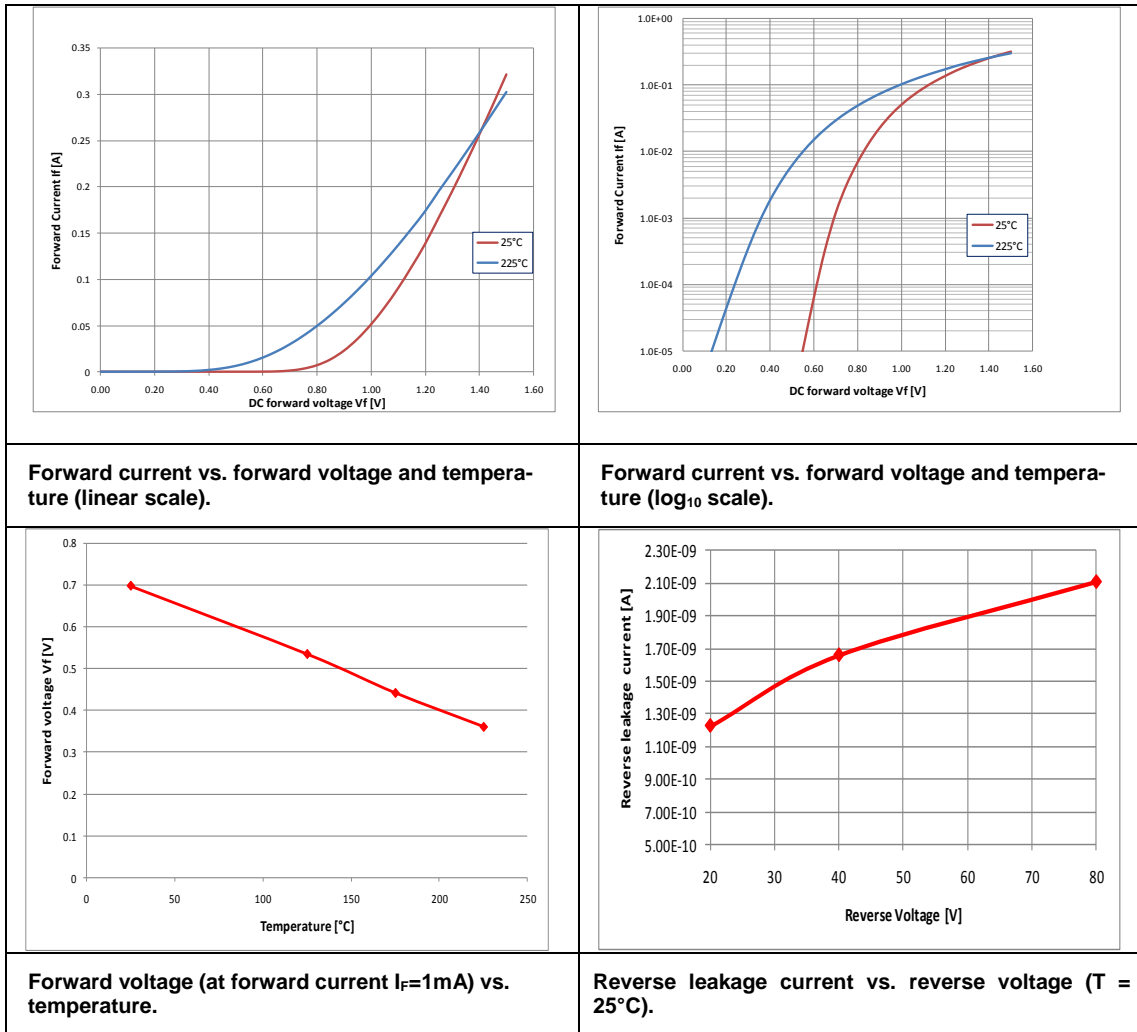
Parameter	Symbol	Condition	Min	Typ	Max	Unit
Forward voltage	$V_F$	$I_F=1\text{mA}$ , $T_j=25^\circ\text{C}$		0.7		V
Forward current	$I_F$				<b>280</b>	mA
Reverse leakage current	$I_R$	$V_R=80\text{V}$ , $T_j=25^\circ\text{C}$		2.11		nA
		$V_R=80\text{V}$ , $T_j=225^\circ\text{C}$		8.9		uA
Breakdown reverse voltage	$V_{(BR)}$		<b>80</b>			V
Junction capacitance	$C_j$	$V_R=25\text{V}$		8.5		pF
Reverse recovery time <sup>1</sup>	$t_{rr}$	$V_R = 80\text{V}$		56		ns
Peak reverse recovery current	$I_{rrp}$	$I_F = 950\text{ mA}$ $T_a = 25^\circ\text{C}$		690		mA

### Thermal Characteristics

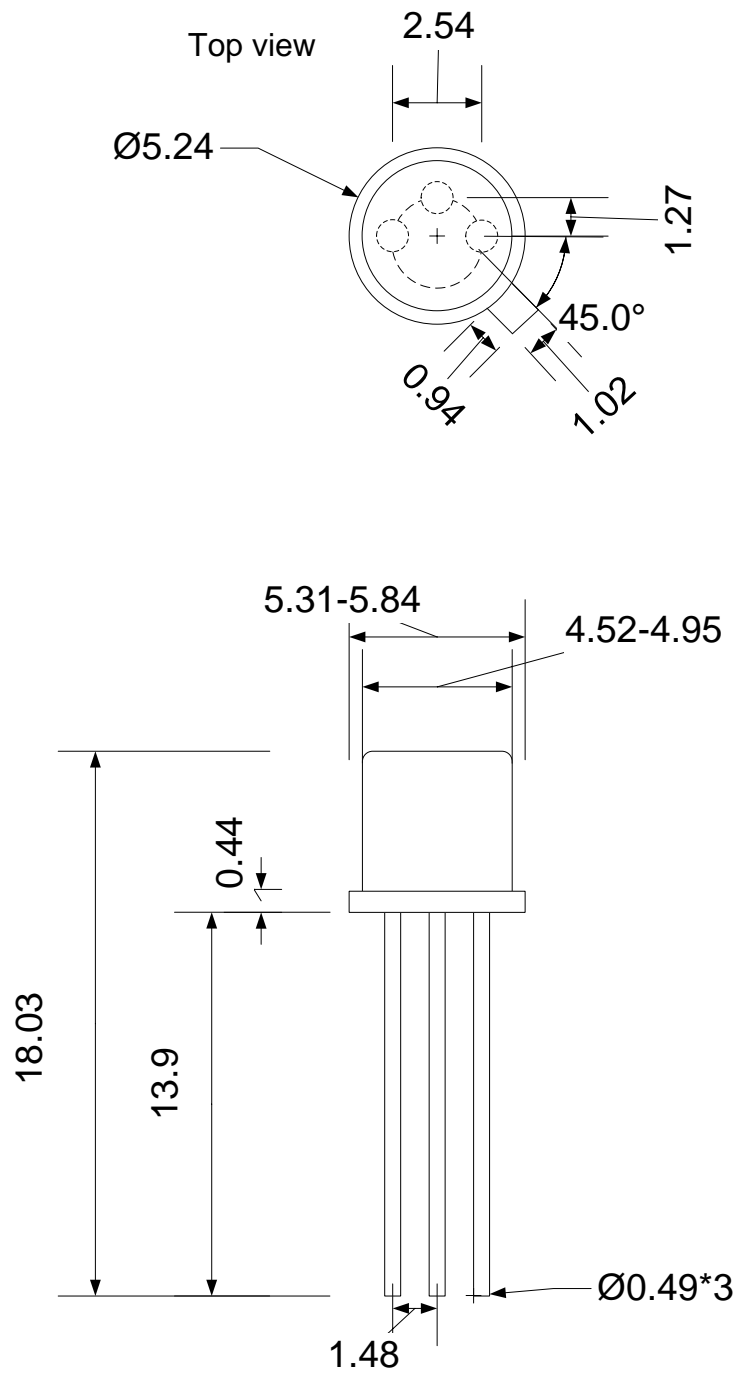
Parameter	Symbol	Condition	Min	Typ	Max	Unit
Junction to case thermal resistance	$\Theta_{JC}$	TO-18 package		60		°C/W

<sup>1</sup>  $t_{rr}$  measured between point where current crosses zero and current reaches 10% of peak reverse recovery current

Typical Performance Characteristics (applicable to each diode)



Package Dimensions



Drawing TO18 (mm +/- 10%)

## Ordering Information

Product Name	Ordering Reference	Package	Marking
CHT-CALLISTO	CHT-PLA5520A-TO18-T	TO-18	CHT-5520A

## Contact & Ordering

### CISSOID S.A.

<b>Headquarters and contact EMEA:</b>	CISSOID S.A. – Rue Francqui, 3 – 1435 Mont Saint Guibert - Belgium T : +32 10 48 92 10 - F: +32 10 88 98 75 Email: <a href="mailto:sales@cissoid.com">sales@cissoid.com</a>
<b>Sales Representatives:</b>	Visit our website: <a href="http://www.cissoid.com">http://www.cissoid.com</a>

## Disclaimer

*Neither CISSOID, nor any of its directors, employees or affiliates make any representations or extend any warranties of any kind, either express or implied, including but not limited to warranties of merchantability, fitness for a particular purpose, and the absence of latent or other defects, whether or not discoverable. In no event shall CISSOID, its directors, employees and affiliates be liable for direct, indirect, special, incidental or consequential damages of any kind arising out of the use of its circuits and their documentation, even if they have been advised of the possibility of such a damage. The circuits are provided "as is". CISSOID has no obligation to provide maintenance, support, updates, or modifications.*